

Modern direct-indirect light recessed luminaire for modular suspended ceilings featuring LED light sources.

TECHNICAL DATA

Mounting: directly in the ceiling construction

Body: powder-painted steel sheet

Colour: white

ELECTRICAL DATA

Power supply efficiency: >90%

Power: 220-240V 50/60Hz

Includes light source: yes

Type of equipment: ED

Electrical connection: max 3x2,5 mm² wire

OPTICAL DATA

Way of lighting: indirect

ADDITIONAL INFO

Lifetime (L70B50): 50 000 h

GENERAL DATA

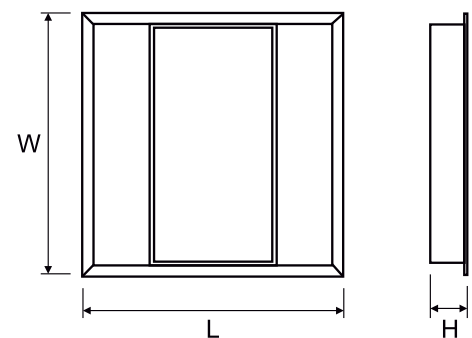
Warranty: 5 years

Application: auditorium, classrooms, museums, reception desks, restaurants, offices



Code	Power LED [W]	Luminaire power [W]	Lumen LED [lm]	Lumen luminaire [lm]	Efficacy [lm/W]	Colour temperature [K]	CRI/Ra
050081.5L01.311	51	56	6000	3200	57	3000	≥80
050081.5L02.311	51	56	6250	3300	59	4000	≥80
050081.5L03.311	67	74	8950	3900	53	3000	≥80
050081.5L04.311	67	74	9250	4050	55	4000	≥80

Code	Dimensions [mm] L W H	Mounting dimensions [mm] L W	Pallet quantity	Quantity in package	Net weight [kg]
050081.5L01.311	595 595 100	600 600	44	1	5.5
050081.5L02.311	595 595 100	600 600	44	1	5.5
050081.5L03.311	595 595 100	600 600	44	1	5.5
050081.5L04.311	595 595 100	600 600	44	1	5.5



Luminous flux tolerance +/- 10%.

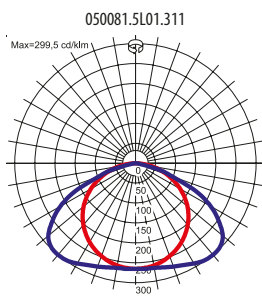
OTHER PICTURES

**ACCESSORIES**



150210.00605

Mounting frame for plasterboard
ceilings 595x595**LIGHT BEAM CURVES**



Luminous flux tolerance +/- 10%.